

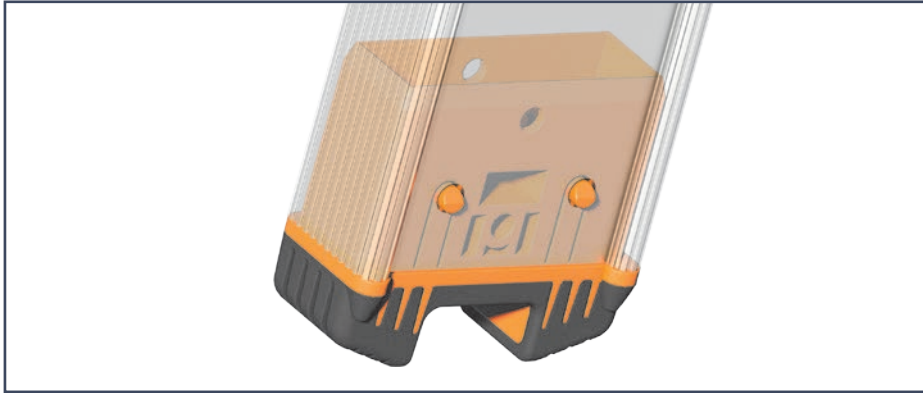
SAFETY INCLUDED
THE COMBIGRIP LADDER FOOT

Layher® 

More Possibilities. The Scaffolding System.

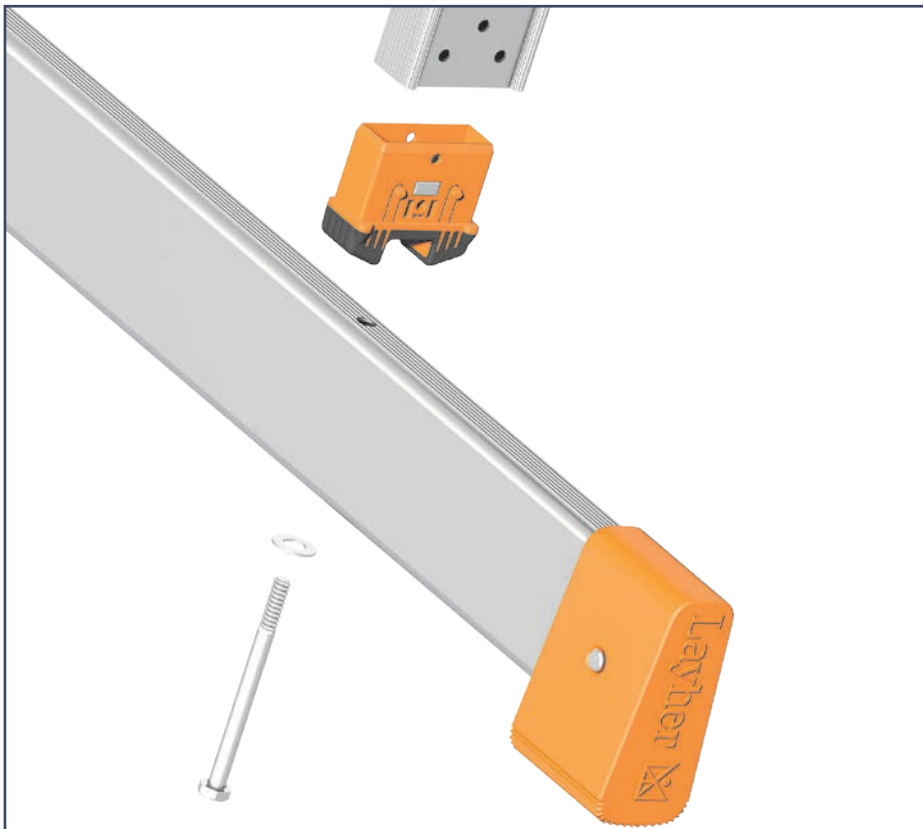
THE NEW LAYHER COMBIGRIP LADDER FOOT

SAFETY INCLUDED



The Layher Combigrip ladder foot is made of a 2-component plastic: a hard inner section (orange) for secure mounting inside the stile, and a soft outer covering (black), non-slip on every floor surface. That ensures:

- ▶ play-free mounting in ladder stile
- ▶ high slipping resistance, for maximum stability of ladders
- ▶ long service life – no cutting or reshaping of the foot



The Layher Combigrip ladder foot ensures easy retro-fitting of a ladder cross-piece – without any sawing or drilling whatsoever.

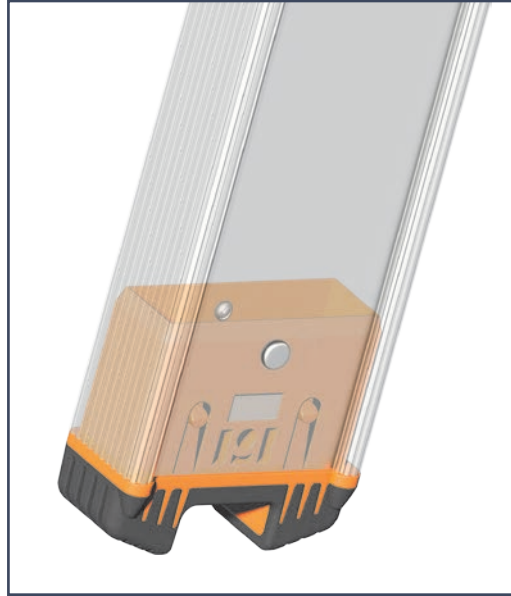
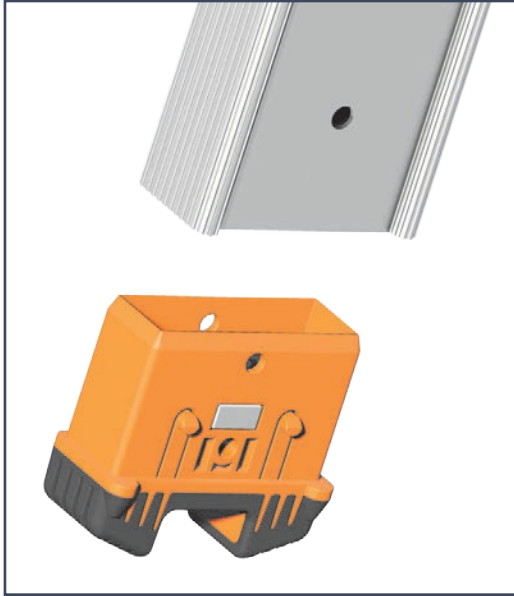
The ladder foot only has to be additionally riveted when a cross-piece is retro-fitted.

The cross-piece is simply inserted into the cutout provided for it in the foot, and then firmly screwed to the stile ends using hexagonal-head screws.

TIP:

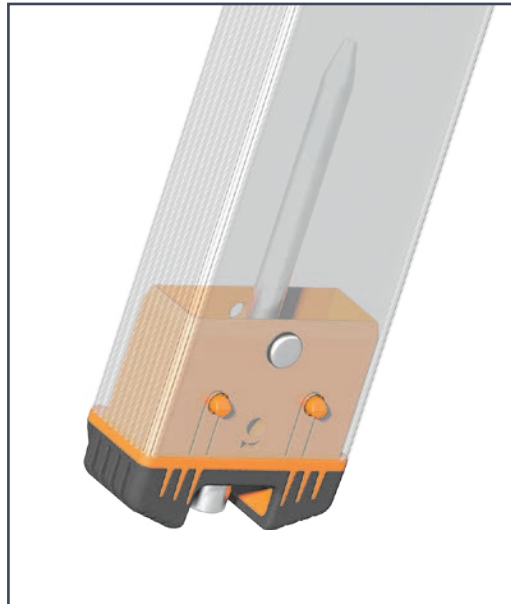
With the Layher Combigrip ladder foot, you automatically comply with the new requirements of DIN EN 131, which starting in autumn 2017 will specify a cross-piece for simple ladders of 3 metres and more length.





The Layher Combigrip ladder foot can be quickly and easily retrofitted in Layher TOPIC ladders of earlier generations.

Just drill out the rivet, remove the old ladder shoe, insert the Combigrip ladder foot and secure it with a new rivet.



For even better stability on grass or soil, the Layher TOPIC ladders can be quickly and easily provided with spikes. No tiresome drilling or riveting needed. Simply screw them in – done.

Existing ladder accessories such as ladder rollers can still be used – without any problems and without any restrictions.

LAYHER LADDERS

TOP-QUALITY LADDERS FOR PROFESSIONAL USE.



ALUMINIUM LADDERS from Layher stand for sturdiness and long life yet low weight, and are used by all trades, as a workplace for light work or as an access to higher levels. Non-slip ladder feet, grooved rungs and low weight ensure greater safety and more ergonomic working.



WOODEN LADDERS are sturdy and inexpensive. They are suitable for low heights where weight is not the crucial argument. The wooden ladder is the first choice when aluminium smudges on the hands have to be avoided. Painters and drywallers in particular swear by wooden ladders.



COMBINATION LADDERS combine the advantages of grooved aluminium rungs with the insulating property of plywood stiles. The main users are electricians and other people working in high-voltage areas.

LAYHER TOPIC LADDERS

OUR MOST POPULAR MODELS



TOPIC 1039
Double rung ladder
4 to 18 rungs
0.55 m to 4.20 m standing height



1038
Wooden double ladder
3 to 14 rungs
0.30 m to 3.15 m standing height



TOPIC 1054
Simple rung ladders
6 to 24 rungs
0.80 m to 5.55 m standing height



1036
Simple wooden ladder for sites
10 to 21 rungs
1.85 m to 4.75 m standing height



1028
Double combination ladder
5 to 12 rungs
0.80 m to 2.65 m standing height



TOPIC 1040
All-purpose ladder, 3-part
3x6 to 3x14 rungs
1.05 m to 5.25 m standing height

FURTHER TOP-QUALITY LADDERS FROM LAYHER CAN BE FOUND IN OUR CATALOGUE.

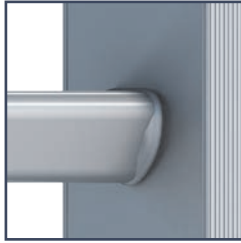
LAYHER LADDERS

THE QUALITY IS IN THE DETAILS

Rungs and steps made of high-strength and closed extruded sections without a longitudinal weld, for high load-bearing capacity. They are quadruple-folded in the stiles. The shape of the triangular rung ensures that it cannot turn, and the folding ensures high lateral stability of the ladder. The heavily grooved tread areas of the rungs and steps ensure a very sure footing.



The type of rung folding increases the contact area of the rung on the inner stile face, so that higher forces can be transmitted.



The special design of the ladder stile section permits heavy loading with a low ladder weight. Beading along the outer stile face prevents damage to the rung flanges, for example when they are slid over the edges of the truck loading area.



Tear-proof polyester straps for transmitting forces of up to 3 kN.



Additional stiffeners at the end of the stile ensure that the values specified in DIN EN 131 are bettered.



Plastic-sheathed steel joints with play-free and undetachable screw connection for long life.





Layher® 

More Possibilities. The Scaffolding System.

Wilhelm Layher GmbH & Co KG
Scaffolding Grandstands Ladders

Ochsenbacher Strasse 56
74363 Gueglingen-Eibensbach
Germany

Post Box 40
74361 Gueglingen-Eibensbach
Germany
Telephone +49 (0) 71 35 70-0
Telefax +49 (0) 71 35 70-2 65
E-mail export@layher.com
www.layher.com

